



www.new-nb.com

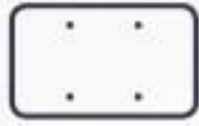
F80 Gas Strut Desktop Mount



Screen Size
17"-30"



Capacity
4.4-19.8 lbs
(2-9 kg)



VESA
75 x 75-100 x 100mm



Upright
10.2" (260 mm)



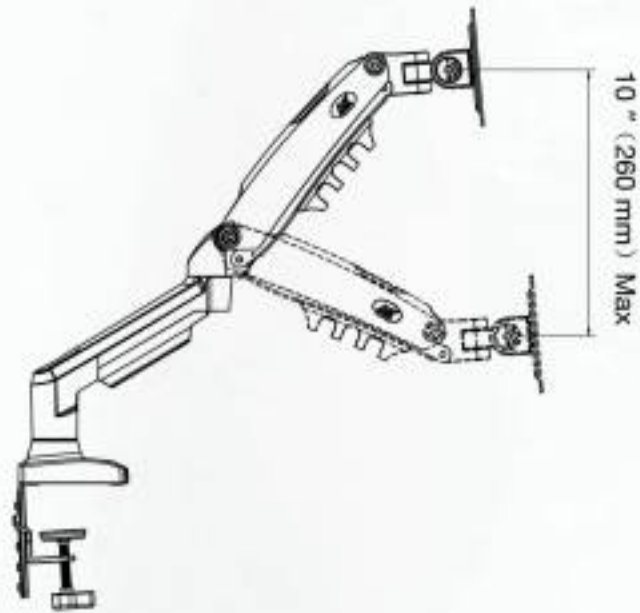
Swivel angles
± 90°



Rotation
360°



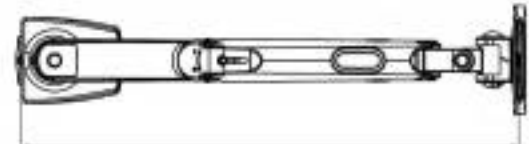
Tilt angles
+85° / -30°



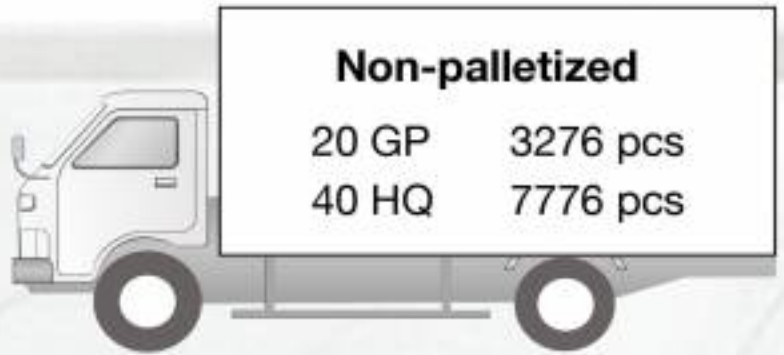
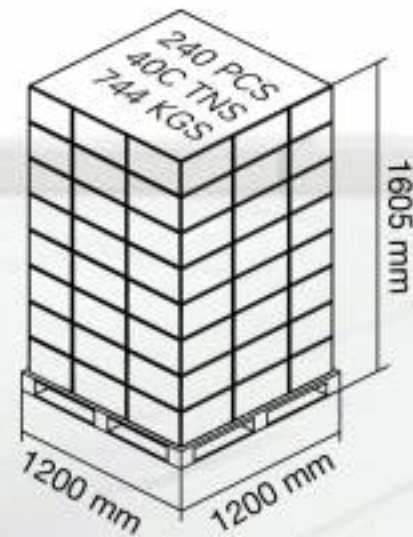
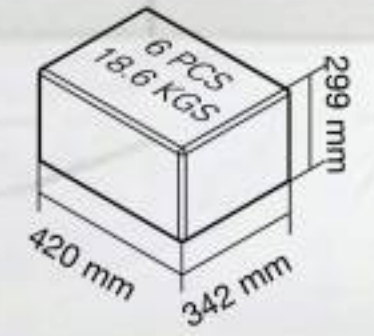
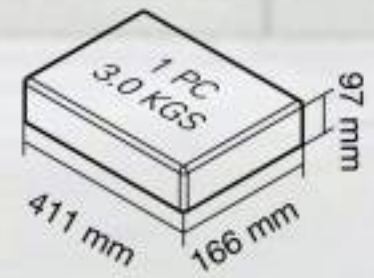
10" (260 mm) Max



16" (400 mm) Max



21" (530 mm) Max



Non-palletized

20 GP	3276 pcs
40 HQ	7776 pcs

